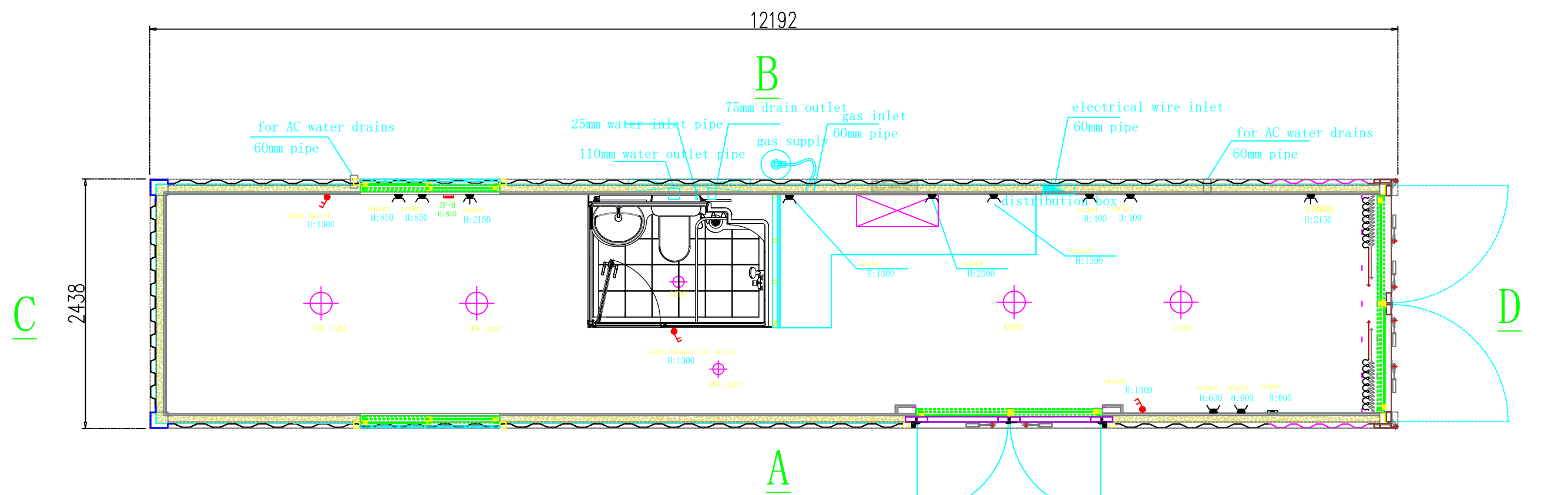
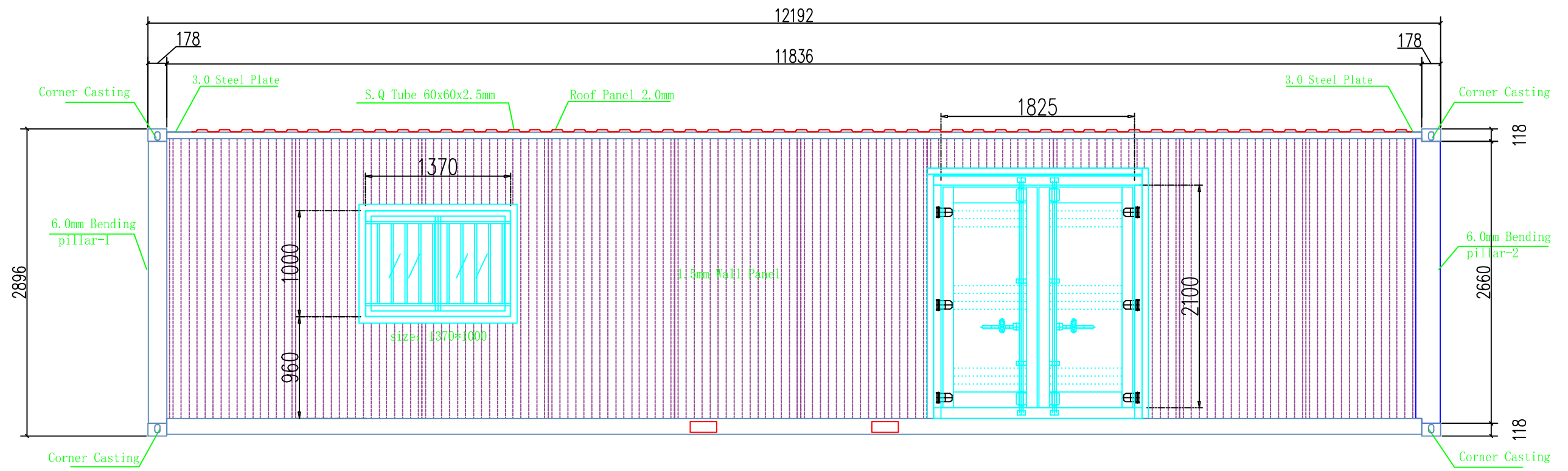


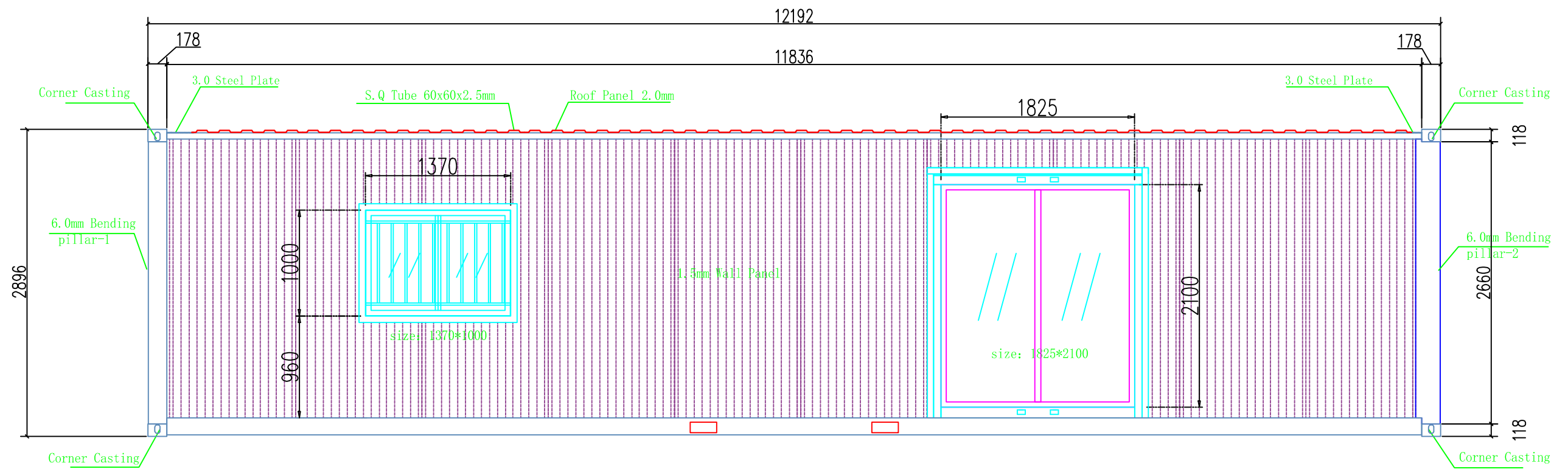
Top view



plumbing, electrical drawing

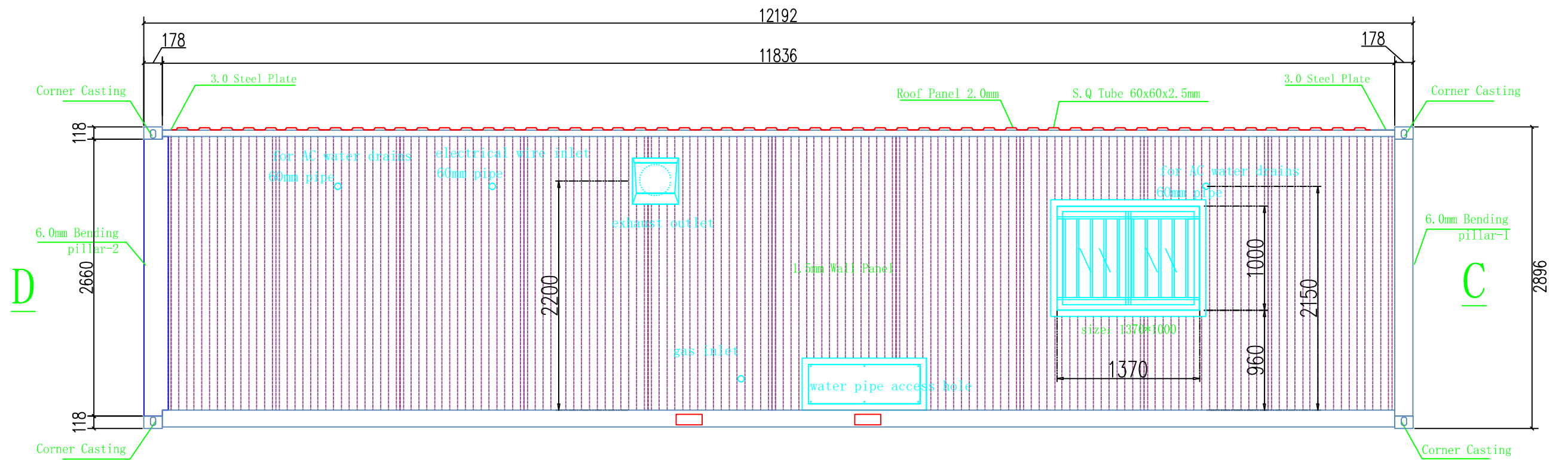


A



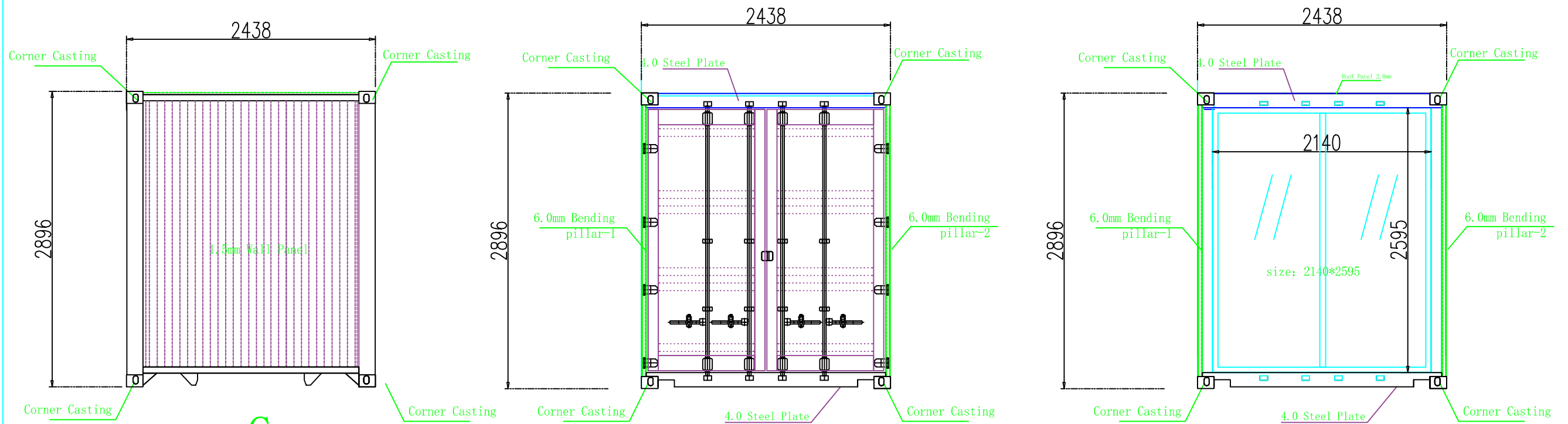
A

Elevation-A



B

Elevation-B



C

D-1

D-2

Elevation-C/D